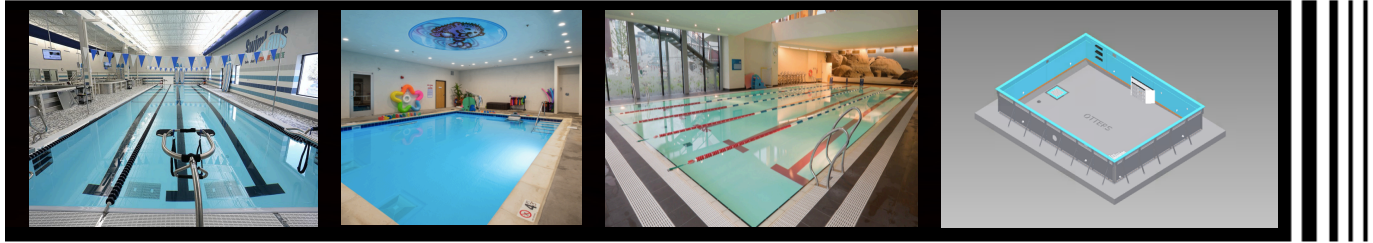




Myrtha Pools USA Inc.
 1800 2nd St., Suite 758
 Sarasota, Florida 34236
 Tel: (941) 955-2591 Fax: (941) 955-0862



Date: 02-06-2020



Myrtha Pools Swim School Narrative & Packages

PROJECT:	TBD
CLIENT:	TBD
REFERENCE:	MYRTHA CONCEPTS

To the Project Team:

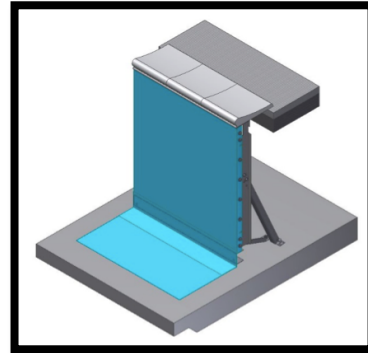
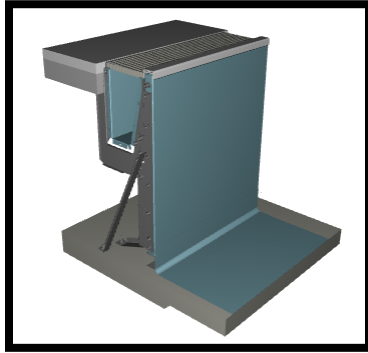
Myrtha Pools is pleased to present the following narrative, approach and package options to provide turnkey teaching and instructional pools.

The Myrtha technology is based on modular stainless steel panels, hot calendared with rigid PVC sheets and fiberglass reinforced composite membranes. The patented finished product blends the attributes of both materials to create a very strong shell, yet flexible under stress. The Myrtha technology by nature is able to maintain its structural integrity and water tightness under conditions that would crack conventionally constructed pools to pieces. This is partly why Myrtha is the preferred technology of FINA (world swimming organization), USA Swimming, US Master, LEN (European) and virtually every other major swimming organization worldwide. The other reason we are the Olympic standard is because of our tireless efforts to perfect the art of building the fastest swimming pools in the world. We accomplish this through dimensional perfection with sub-millimetric manufacturing standards and the development of proprietary technologies through computational dynamics modeling to improve current free recirculation.

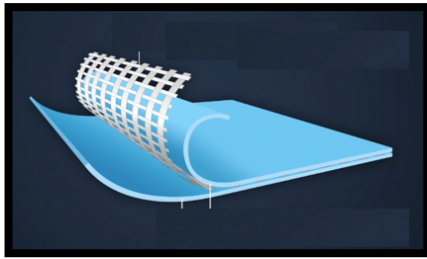


Myrtha Pool Structure, Waterproofing Materials, Installation and Accessories

The Myrtha Skimmer structure is the most cost-effect approach to designing and constructing pools for swim schools. It allows for multiple skimmer filtration boxes and provides a 4” freeboard that can be used as poolside “benches” during instruction. The Classic Competition structure provides a beautiful clean finish while achieving the rim flow feature used at elite swimming facilities worldwide. The gutter is manufactured with the same Myrtha stainless steel as the panels and therefore, once sealed, forms a continuous waterproofed surface.. Additionally, with the proposed sidewall inlets, we are able to control turbulence and accurately map optimum water circulation in the pool. It is considered one of the most efficient systems available today thanks to a uniform distribution in the shortest timespan possible.



The proposed floor membrane will be our Evolution membrane, which is exclusive to Myrtha. Evolution is reinforced by fiberglass instead of polyester and therefore doesn't stretch and is further enhanced by the most chemically and UV resistant surface treatments available. The membrane will be mechanically fastened to the existing concrete. The result of which is a permanent fully adhered system that will not wrinkle or balloon under any circumstances.

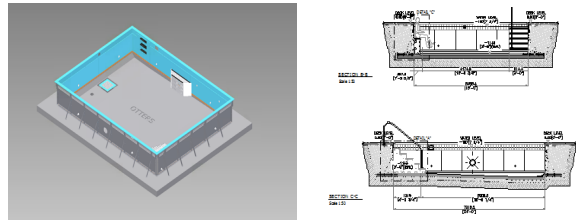


Myrtha Pools, working with partners, is proud to offer three standard packages. The following turnkey options are available at greatly discounted prices.

Pool Structure Materials & Installation

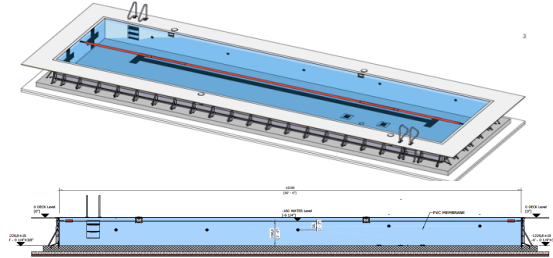
POOL OPTION A:

- 24FT X 15FT (360 SF)
- Myrtha Skimmer Panel @ 4ft Depth
- Myrtha Anti-Slip Evolution Membrane
- Myrtha Sidewall Inlets & Main Drains
- Myrtha Recessed Step Panel
- Myrtha Steps & Bench
- Installation & Waterproofing



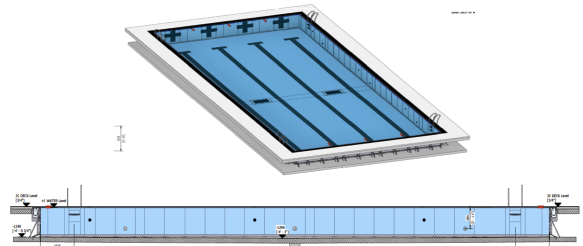
POOL OPTION B:

- 60FT X 15FT (900 SF)
- Myrtha Skimmer Panel @ 4ft Depth
- Myrtha Anti-Slip Evolution Membrane
- Myrtha Sidewall Inlets & Main Drains
- Myrtha Gutter-Mounted Lane Rope Anchors
- Myrtha Recessed Step Panels
- Myrtha Racing Lines & Wall Targets
- Installation & Waterproofing



POOL OPTION C:

- 75FT X 30FT (2,250 SF)
- Myrtha Classic Panel w/Gutter @ 4ft Depth
- Myrtha Anti-Slip Evolution Membrane
- Myrtha Sidewall Inlets & Main Drains
- Myrtha Recessed Step Panels w/Handrails
- Myrtha Racing Lines & Targets
- Installation & Waterproofing



MECHANICAL SKID PACKAGE:

- Circulation Pump
- Sand Filter
- Electronic Control Board
- Plumbing for Inlets & Main Drains
- Chemical Feeder
- PH Control
- Installation



POOL A PRICE:

\$200,100.00 USD

POOL B PRICE:

\$295,000.00 USD

POOL C PRICE:

\$467,000.00 USD

EXCLUSIONS:

- Concrete, Footers & Site Works
- Permitting, Engineering & Design
- Additional Pool, Safety & Deck Equipment
- Prevailing Wages Not Assumed

With over 20,000 commercial installations in 82 countries, the bottom line is that the Myrtha system has the flexibility and experience in a variety of different challenging conditions to complete the task being proposed. We design every aspect of our technology and continually innovate to make our pools the most functional and dependable system available on the competitive market; which is why we are the Olympic standard. There is no better choice than to purchase a Myrtha pool.

Should you have any questions related to these remarks, we may be reached by telephone at 941-350-3286 / 214-773-1243 or email at jireland@myrthapoolsusa.com / jcleveland@myrthapoolsusa.com. Thank you very much for your consideration.

Sincerely,

John E. Ireland, PE, LEED AP
Director of Technical Services

Jon Cleveland
Sales and Marketing Manager





Myrtha Pools

WATER. VISION. CREATION.

